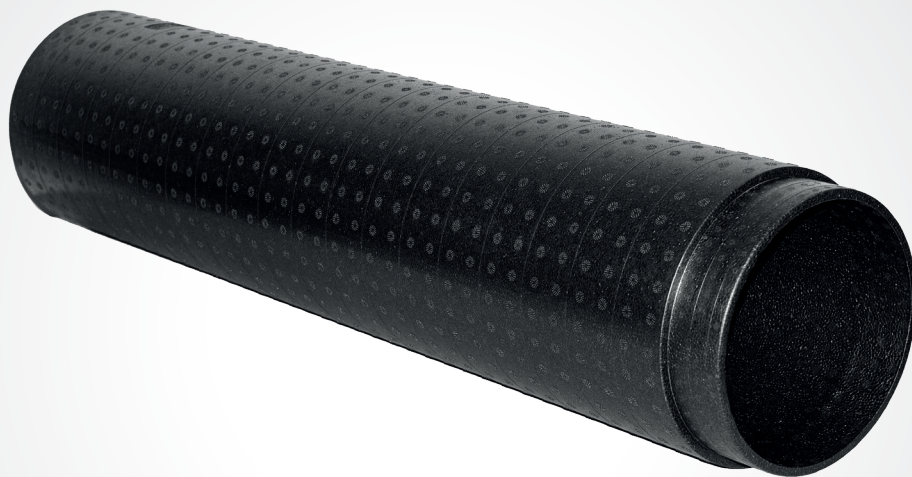


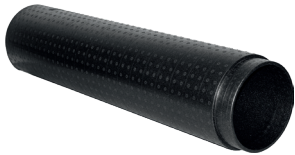
# Zehnder ComfoPipe Compact

Technical specification for connection system



## General

Zehnder ComfoPipe Compact is a self-supporting and lightweight duct system for connecting to outdoor and exhaust air grilles. The rigid foam ducts provide thermal insulation properties and a closed-cell, vapor-tight surface. These characteristics make it useful in avoiding condensation around the exterior of the ducts during cold weather. (See thermal performance values below. Insulation values for local code or program certification requirements should be observed.) Furthermore, the close-fitting connections and trimming guidelines simplify a custom installation and help ensure airtight performance.



ComfoPipe Compact Pipe



ComfoPipe Compact Bend



ComfoPipe Compact Directional Coupler



ComfoPipe Compact Coupler

## Article numbers

Description	ZG Reference	ZA Part #
ComfoPipe Compact Pipe 125, L = 1 m, D = 155 / 125 mm	990 328 690	9628-00
ComfoPipe Compact Pipe 160, L = 1 m, D = 190 / 160 mm	990 328 693	9631-00
ComfoPipe Compact Pipe 200, L = 1 m, D = 230 / 200 mm	990 328 696	9634-00
ComfoPipe Compact Bend 125, 45 degrees, D = 155 / 125 mm	990 328 691	9629-00
ComfoPipe Compact Bend 160, 45 degrees, D = 190 / 160 mm	990 328 694	9632-00
ComfoPipe Compact Bend 200, 45 degrees, D = 230 / 200 mm	990 328 697	9635-00
ComfoPipe Compact Directional Coupler 125, D = 179 / 155 mm	990 328 692	9630-00
ComfoPipe Compact Directional Coupler 160, D = 214 / 190 mm	990 328 695	9633-00
ComfoPipe Compact Directional Coupler 200, D = 254 / 230 mm	990 328 698	9636-00
ComfoPipe Compact Coupler 125, D = 179 / 155 mm	990 328 760	9713-00
ComfoPipe Compact Coupler 160, D = 214 / 190 mm	990 328 761	9712-00
ComfoPipe Compact Coupler 200, D = 254 / 230 mm	990 328 762	9711-00

## Technical specifications

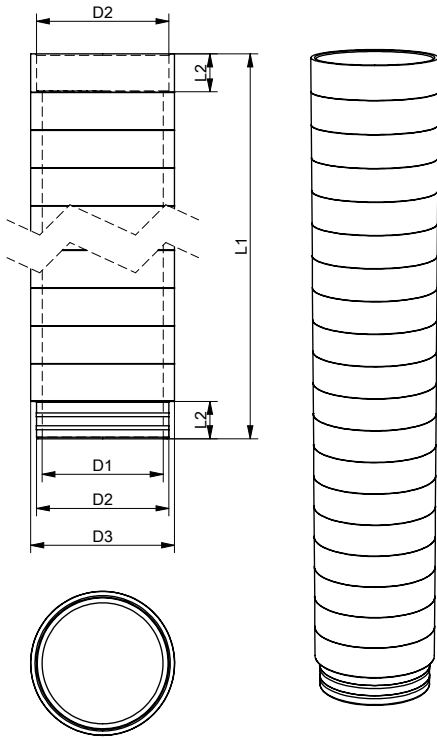
### Zehnder ComfoPipe Compact

Material thickness	15 mm
$\lambda$	0.037 W/mK
RSI	0.405 m <sup>2</sup> K/W
R-value (imperial)	2.3
Application	-25 °C to 60 °C
Fire class	B2 per DIN 4102-1
Material	Extruded polypropylene

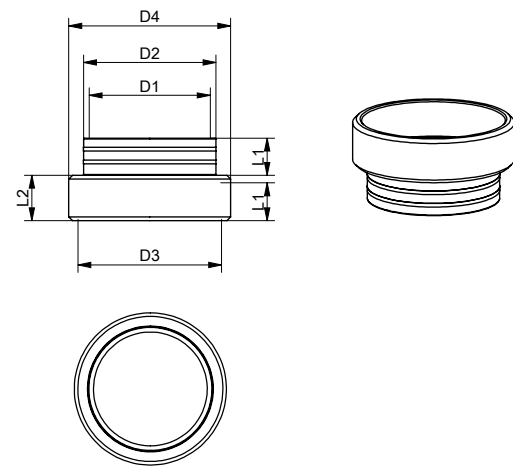
## Dimensional drawings

D1	D2	D3	D4	L1	L2
<b>Pipe</b>					
125 mm	140 mm	155 mm	-	1000 mm	50 mm
160 mm	175 mm	190 mm	-	1000 mm	50 mm
200 mm	215 mm	230 mm	-	1000 mm	50 mm
<b>Directional Coupler</b>					
125 mm	140 mm	155 mm	179 mm	50 mm	60 mm
160 mm	175 mm	190 mm	214 mm	50 mm	60 mm
200 mm	215 mm	230 mm	254 mm	50 mm	60 mm
<b>Coupler</b>					
125 mm	-	155 mm	179 mm	45 mm	100 mm
160 mm	-	190 mm	214 mm	45 mm	100 mm
200 mm	-	230 mm	254 mm	45 mm	100 mm

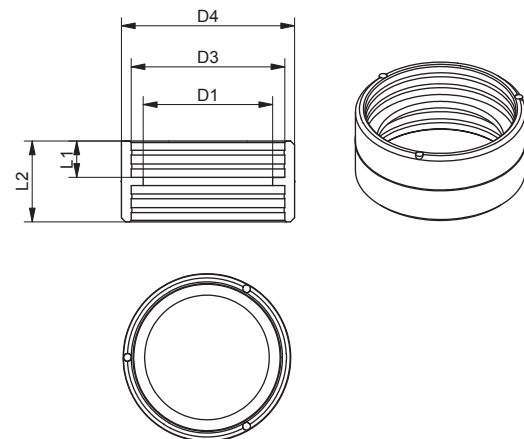
**Pipe**



**Directional Coupler**

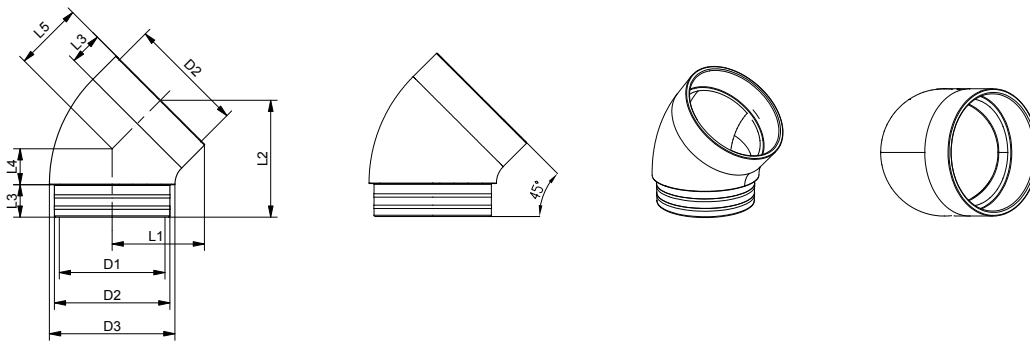


**Coupler**

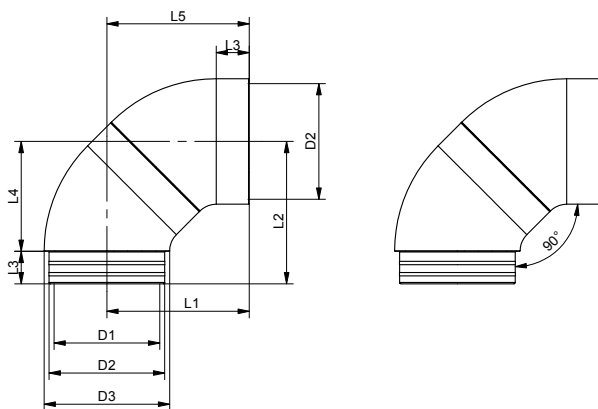


D1	D2	D3	L1	L2	L3	L4	L5
<b>Bend 45°</b>							
125 mm	140 mm	155 mm	118 mm	152 mm	50 mm	40 mm	98 mm
160 mm	175 mm	190 mm	140 mm	177 mm	50 mm	55 mm	104 mm
200 mm	215 mm	230 mm	166 mm	205 mm	50 mm	71 mm	120 mm
<b>Bend 90° (2 x Bend 45°)</b>							
125 mm	140 mm	155 mm	181 mm	181 mm	50 mm	131 mm	181 mm
160 mm	175 mm	190 mm	216 mm	216 mm	50 mm	166 mm	216 mm
200 mm	215 mm	230 mm	256 mm	256 mm	50 mm	206 mm	256 mm

**Bend 45°**

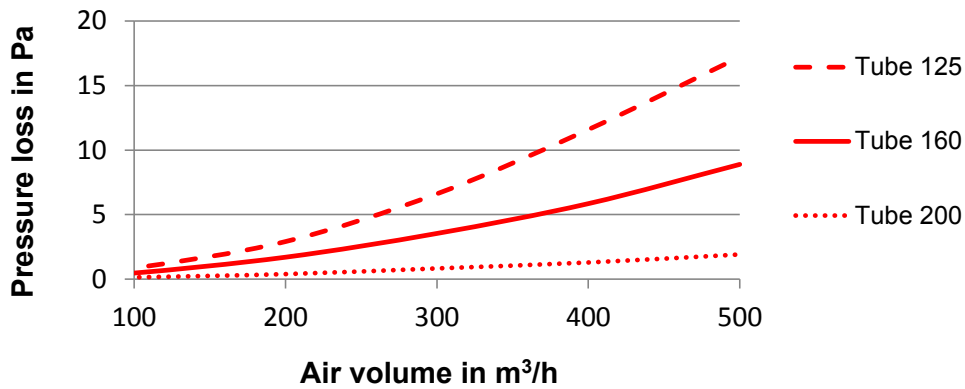


**Bend 90° (2 x Bend 45°)**

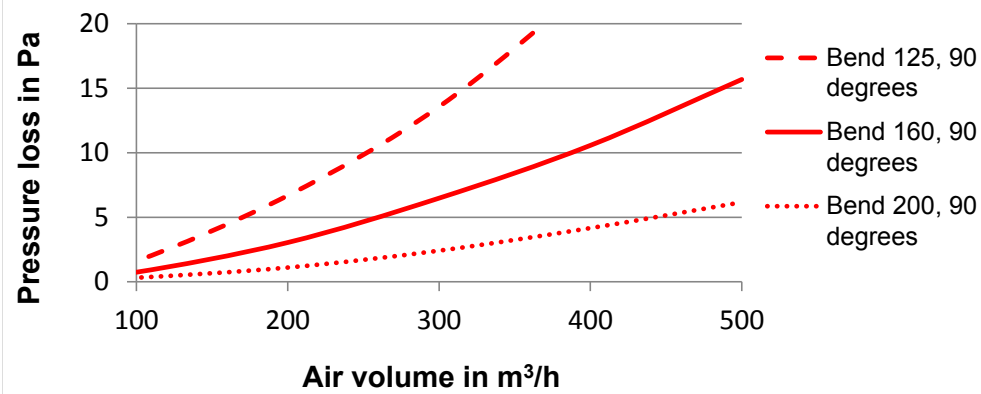


## Pressure loss graphs

### Tubes



### 90-degree bends



### 45-degree bends

