

# Zehnder ComfoWell Manifold

w/ twist-connect terminations

**zehnder**

CW-M 220 4-port manifold

CW-M 320 6-port manifold

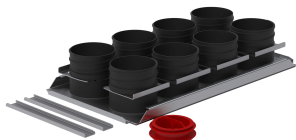
CW-M 420 8-port manifold

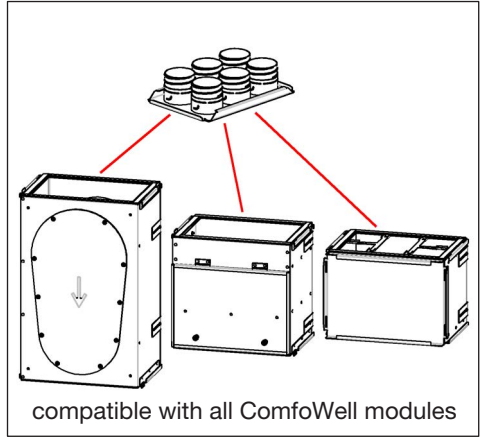
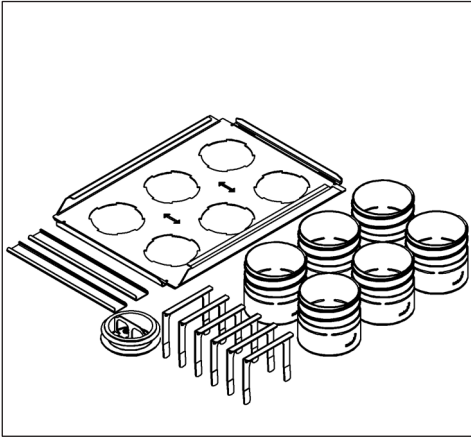
CW-M 520 10-port manifold

CW-M 625 12-port manifold



Installer Manual





**i**

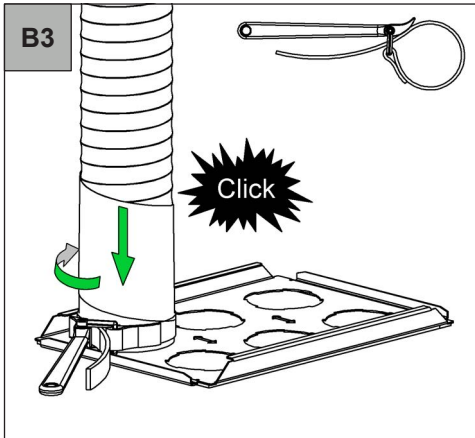
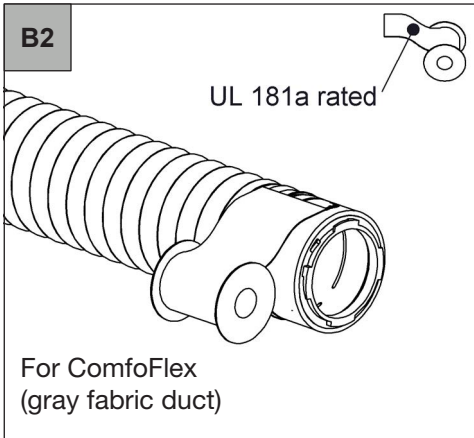
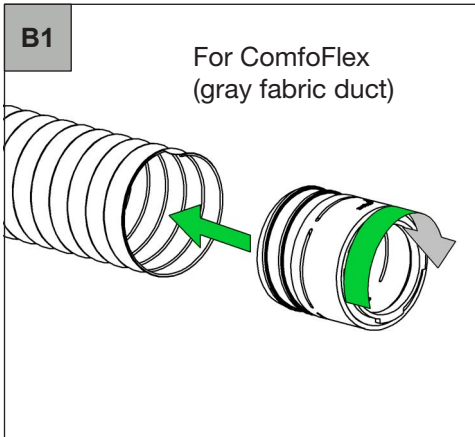
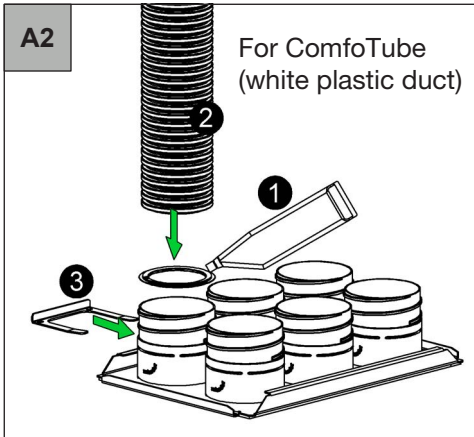
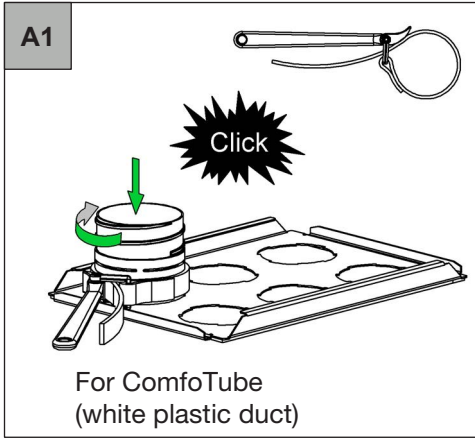
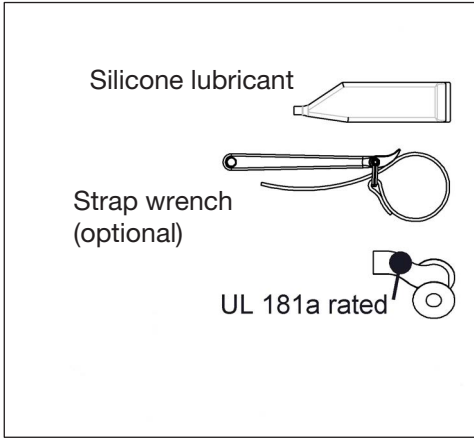
For ComfoTube (white plastic duct) first attach twist-connect fitting to manifold plate, then connect tube to fitting.

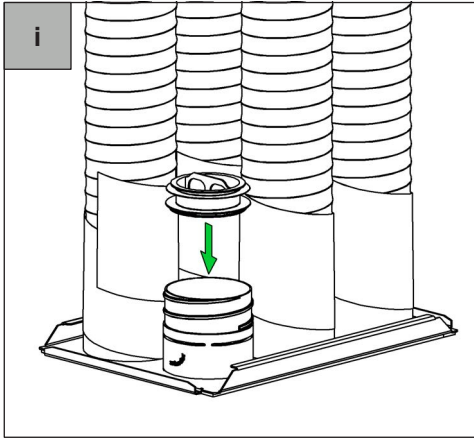
**A**

---

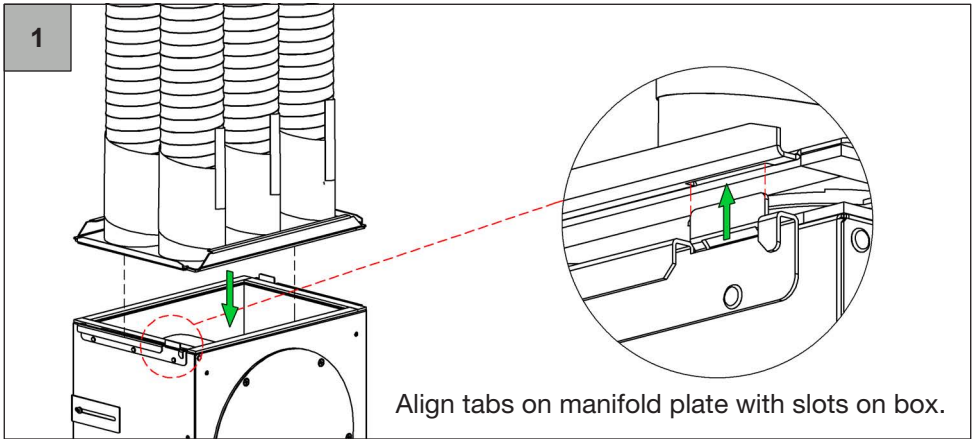
For ComfoFlex (gray fabric duct) first insert the twist-connect fitting into the duct end, then connect the fitting to the mounting plate.

**B**

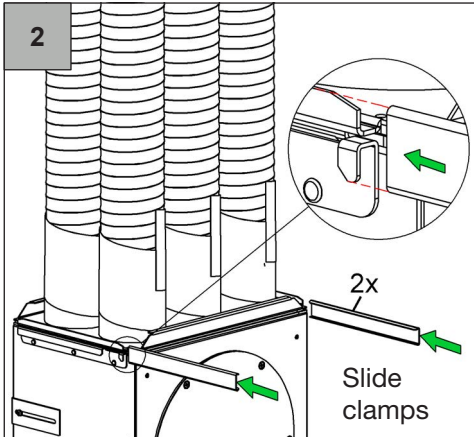




To cap an un-used port, install twist connector and push red plug all the way to the bottom past slots.



Align tabs on manifold plate with slots on box.



2x  
Slide clamps

