

Diffuser Box

Zehnder TVA

Benefits

- Easy to install
- High air output
- Universal application possibilities
- Easy to clean
- Suitable for wall or ceiling installation
- Can be installed in timber or solid constructions
- Extract air filter optional
- Same housing for supply and extract air
- Mounting bracket attached to housing
- Protective dust cover



TVA 75-3

Housing

Description	Art. no.	Reference No.
Housing TVA 75-3	528 006 630	9442

Description	Art. no.	REF No.
Extract air diffuser STB-2-125	705 522 521	9441



STB-2

Accessories

Description	Art. no.	REF No.
Filter DN 125	990 320 032	9352

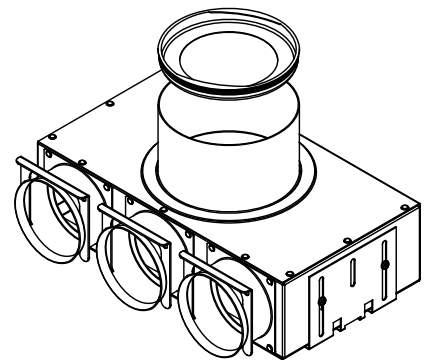
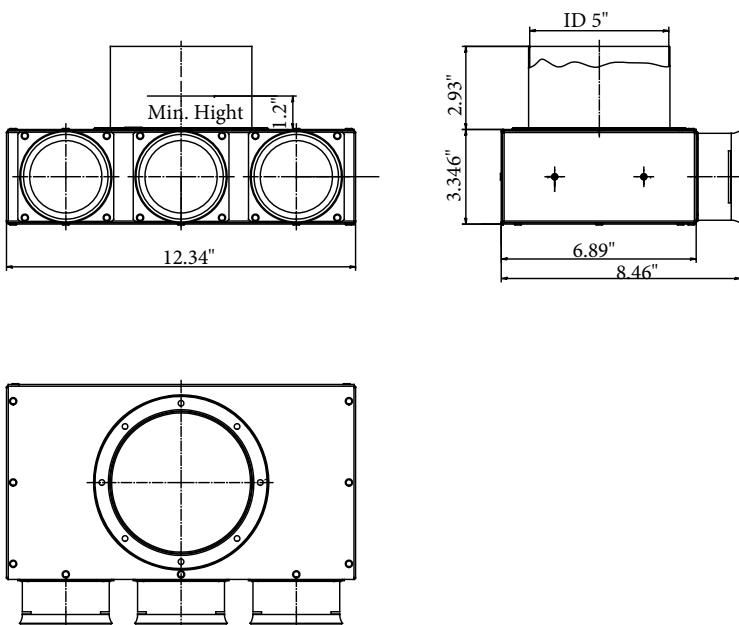


Filter

Diffuser Box

Zehnder TVA

Dimensional drawings



Register Box

Zehnder TVA

Description

Zehnder's register box TVA for supply and exhaust air can be used in combination with different diffusers and grill. It is fitted with 2 connections for ComfoTube 75. The supplied mounting brackets allow for installation in Walls and Ceilings.

Material: Galvanised steel
Maximum air volume: 36 cfm

Specifications

Material:
Housing: Galvanised steel
Operating temperature: -13F to +140F

Description of accessories

Diffuser

Zehnder diffuser suitable for installation in walls and ceilings. The air volume can be adjusted smoothly at the diffuser. The diffusers can be used with TVA register box and install without a tool. They are secure by a rubber foam to create an air tight seal.

Filter

Zehnder filter for exhaust air diffuser TVA housing to protect the air ducts against impurities. Filter class G4 (MERV 7/8). The filter is mounted between TVA and STB-1.



Diffusers

Grille Round
Venezia White



STB-1



KE

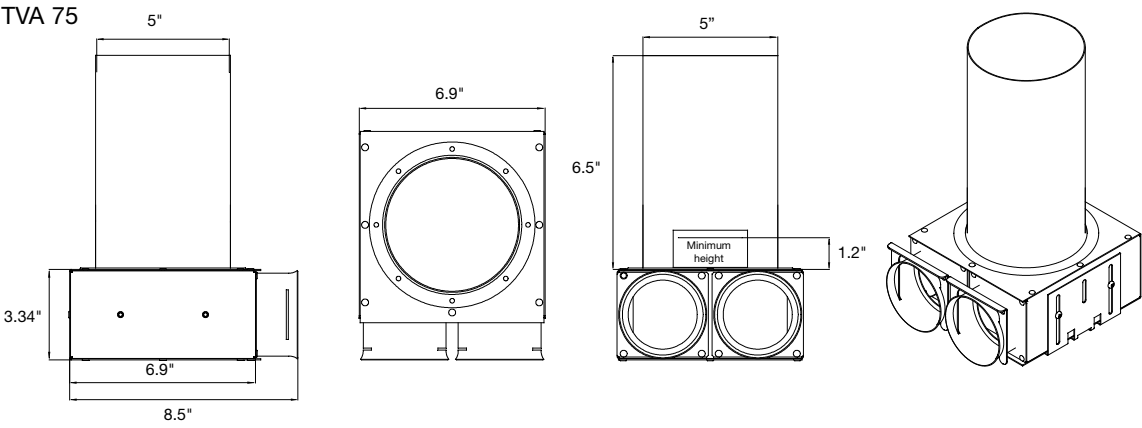


Filter

Diffuser Box

Zehnder TVA

Dimensional drawings

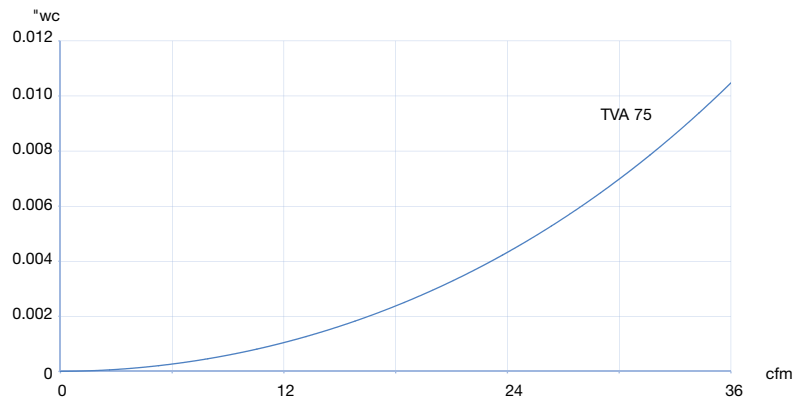


Diffuser Box

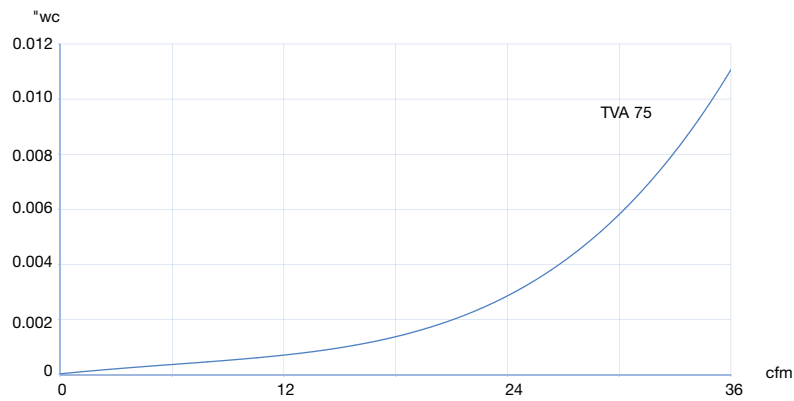
Zehnder TVA

Pressure drop

TVA extract air



TVA supply air



ZA-CSY-FLYERTS042, V11 2014, en_us, subject to changes