

always the
best climate

zehnder

Housing for walls

Zehnder CLD 2 T

Benefits

- Suitable for wall, floor or ceiling installation
- Air volumes up to a maximum of 18 cfm
- Can be installed in timber or solid construction
- Sound absorbing
- Air volume control with optional ComfoSet
- Easy to clean
- Same housing for supply and extract air
- Installation bracket attached to housing
- Protective dust cover and sheet rock templet



CLD 2 T

Housing

Housing height = 3.5"	Art.no.	Reference No.
	990 320 518	9588

Housing accessories	Art. no.	Reference No.
ComfoSet 75 T airflow regulator	990 320 049	9594
Extention Pin 40mm/1.5"	990 320 688	9413
Extention Pin 25mm/1"	990 320 687	9412

Grille type	Art. no.	Reference No.
Zehnder ROMA White	990 320 611	9264
Zehnder ROMA Stainless Steel	990 320 610	9263

always the
best climate

zehnder

Housing for wall

Zehnder CLD 2 T

Description

Cleanable supply or exhaust housing made from galvanized steel, an integrated sound absorbing element and connection flanges.

Can be used with 1 or 2 ComfoTubes or ComfoFlex. Maximum Airflow per tube is 18 cfm at an air velocity of 10 ft/s.

Suitable for all wall installations.

It comes with a protective cover to prevent entering of dirt during construction and dopes as template for mudding in the sheet rock finish.

When the construction is finished the protective cover can be replaced with one of our Zehnder Grilles ROMA white or Stainless Steel for surface flash installation.

Specifications

- Housing material: Galvanized steel
- Length: 9.5"
- Width: 5.7"
- Depth: 3.5"

Accessories

ComfoSet 75 T

Airflow regulator to adjust the volume of air flow.



ComfoSet 75 T

always the
best climate

zehnder

Housing for walls

Zehnder CLD 2 T

Grille for CLD vent



zehnder roma

Grille type		Art. no.	Reference No.
Zehnder ROMA	White	990 320 611	9264
Zehnder ROMA	Stainless Steel	990 320 610	9463

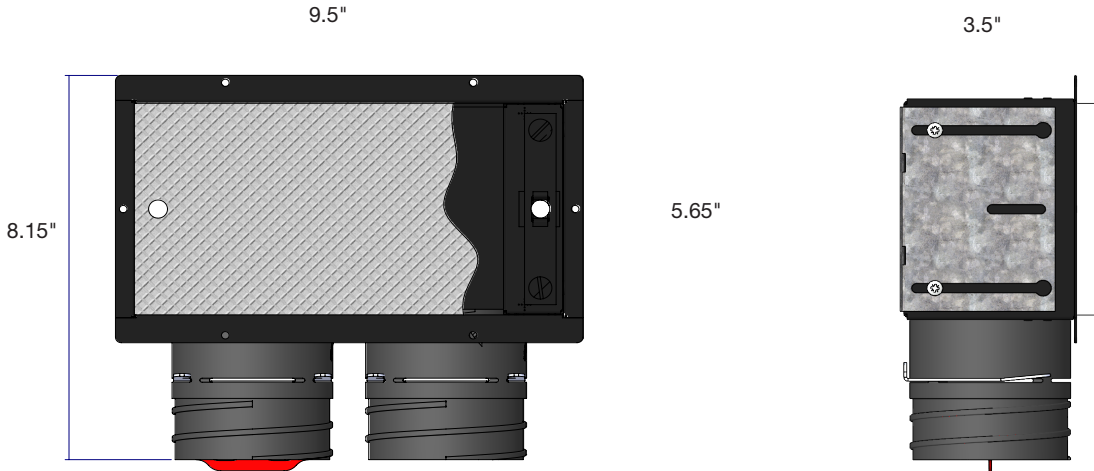
always the
best climate

zehnder

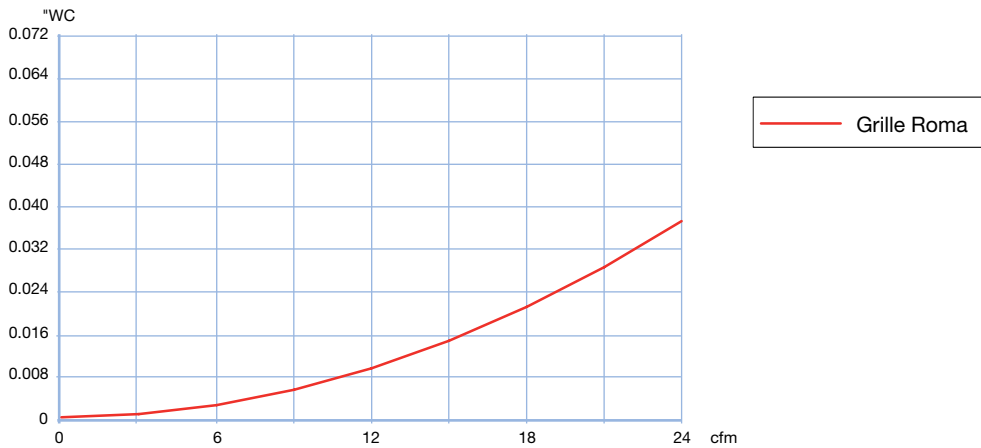
Housing for walls

Zehnder CLD 2 T

Dimensions



Pressure losses



ZA-CSY-FLYERTS040, V11 2014, en_us, subject to changes

zehnder