

External wall grille

Zehnder wall grille

Benefits

- Easy to install
- Vermin protection grille
- Attractive visual design
- Rain protection by optimum fin setting



Article numbers

Designation		Article Number	Reference Number
Ventilation grille	5"	990 430 250	9411
Ventilation grille	6"	990 430 580	9410
Ventilation grille	7"	990 430 582	9409

Description of Zehnder wall grille

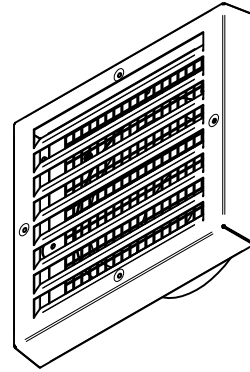
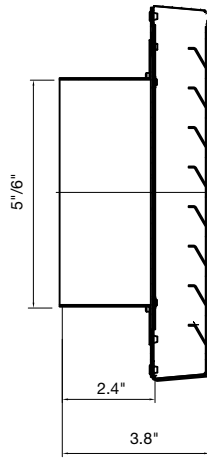
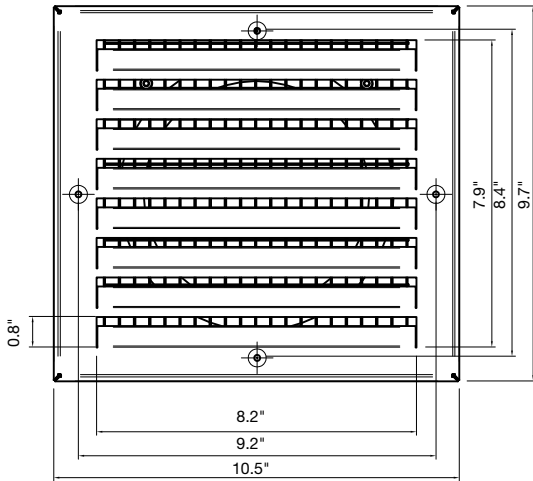
The wall grille is suited to a wall installation and is fitted with 5", 6" or 7" pipe connections to integrate properly with ComfoPipe insulated ducts. The fins are made of stainless steel, and there are weep holes in the lower front edge.

External wall grille

Zehnder wall grille

Dimensional drawings

5" and 6"



7.0"

