

zehnder

always the
best climate

Zehnder ComfoValve Luna S125

Technical Specification for Air Supply Valve



General

Zehnder ComfoValve Luna S125 is a Supply Valve useable for all supply air needs.

Highlights are:

- Fixed Height of 1.2 inch (30 mm), independent from the chosen Air volume setting.
- Optimal design for silent and draft free supply of fresh air by using the principle of the Coandă Effect
- No tools needed for installation, commissioning or maintenance
- Chosen Settings can be written on the interior of the Flow cone for future reference
- Locking of the flow cone prevents accidental adjustment during installation and maintenance
- Zehnder Air Blocker restricts airflow to 240°
- Discreet, timeless design
- Paintable to match interior design



ComfoValve Luna S125



ComfoValve Luna S125



ComfoValve Luna S125,
Ceiling installation

Advantages

- No tools required for installation and maintenance.
- Lockable flow cone prevents accidental adjustments during installation and maintenance.
- High comfort standard to silent airflow and draft free operation.
- No impact on the room design and easy integration into challenging architecture due to its discreet design

Technical Data

Data	
Material	Plastic ASA
Color	similar to RAL 9003
Diameter	6.7 inch (170 mm)
Undercut	maximal 5 mm
Connection	5 inches (DN 125)
Area of Air distribution	360°, with Air Blocker 240°
Air seal	Seal ring
Maximum Air volume	up to 25 cfm
Installation location	Wall or Ceiling
Maximum temperature	140°F

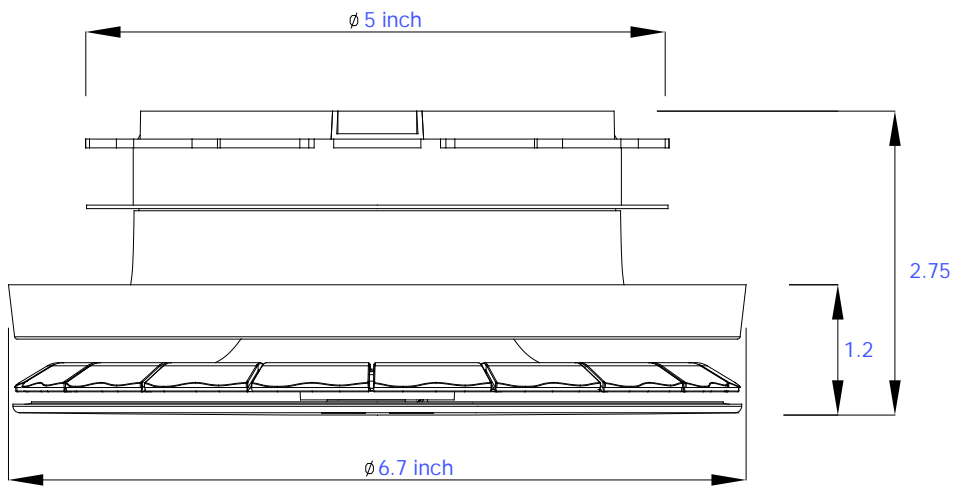
Article numbers

Part Name	Article number
Supply-ComfoValve Luna S125	705 613 126
Air Blocker ComfoValve Luna S125	705 613 001

Description

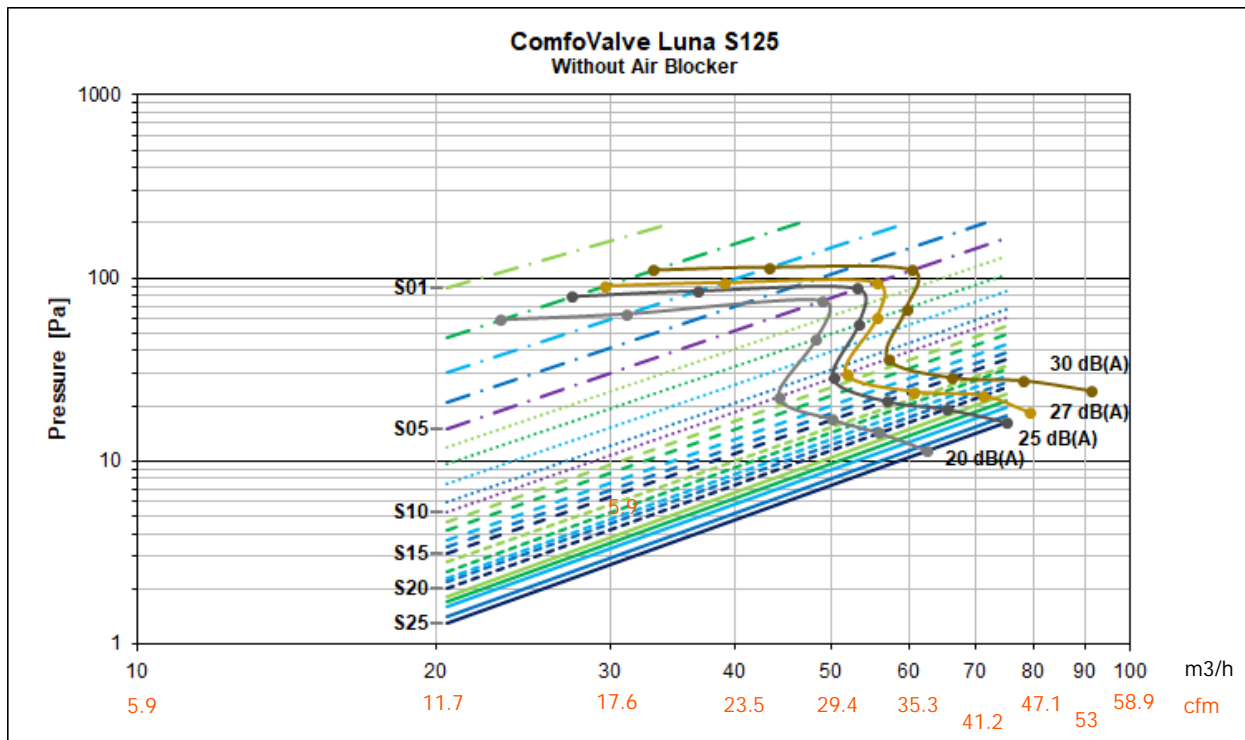
Our new Supply-valve Zehnder ComfoValve Luna S125 can be installed either on a wall or ceiling. It was designed for supply air and perfectly fits all Zehnder TVA's. Zehnder's ComfoValve Luna S125 has a very discreet design and therefore blends in to every interior design. The new optimized design allows for noise-free comfortable use in every room. This supply-valve uses a wide air exit area which prevents draft and dust rings (known as Coandă-Effekt). There are no tools needed for installation, commissioning or maintenance. Changes of air volume can be done by simply unlocking and turning the flow cone. This can be done in 25 increments. After establishing the desired setting, the flow cone can be locked, thereby preventing accidental changes of the setting. After commissioning the decorative face plate will cover the flow cone. The seal ring guarantees a secure air sealing to Zehnder's TVA register boxes, by simply sliding it in. If desired, the 360° air supply can be reduced to 240° by using our optional Zehnder Air Blocker in the Luna-Valve.

Dimensional sketch

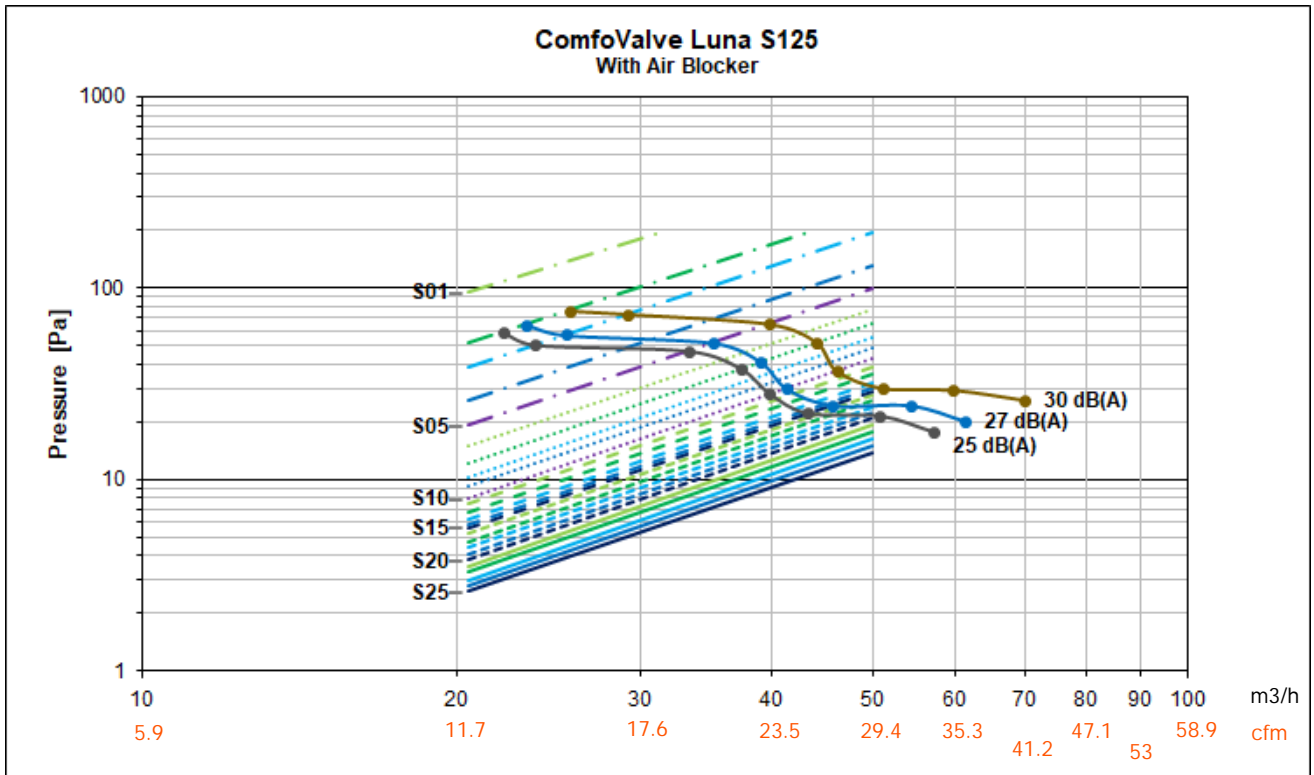


Pressure drop chart

regarding Settings S01 to S25



regarding Settings S01 to S25



TS Luna USA NWE 2017 09 29